

LINE: STAINLESS STEEL TABLE TOP MEAT BAND SAW

MODEL: ST-200-AI

PICTURE:

**STAINLESS
STEEL**



Three wheeled stand (optional)

USE	SPECIFICATIONS	
<ul style="list-style-type: none"> * Restaurants * Butcher shops * Fish markets * Hotels * etc. 	Saw blade	200 cm/79" IN
	Blade speed	13 m/seg / 42.6 ft/sec
	Throat width	23.5 cm/9.25" IN
	Throat height	24.7 cm/9.75" IN

BENEFITS

- | | |
|--|--|
| <ul style="list-style-type: none"> * Hose down washable * Ideal for reduced spaces * Compact but powerful (1 ½ HP) * Minimum maintenance | <ul style="list-style-type: none"> * Stainless steel construction * Built to last * Avoids accidents with its safety switches |
|--|--|

LINE:

STAINLESS STEEL TABLE TOP MEAT BAND SAW

MODEL:

ST-200-AI

BENEFITS

SPECIFICATIONS



SAVES IN MAINTENANCE

The saw guides with tungsten carbide inserts are friction resistant and will outlast standard steel guides by many times over, this reduces maintenance



HYGIENIC

Because its Stainless steel construction and the fixed table and sliding table are easily removable without the need of tools for cleaning and sanitizing.

Saw blade	200 cm/79" IN
Blade speed	13 m/seg/ 42.6 ft/sec
Throat height	23.5 cm/9.25" IN
Throat width	24.7 cm/ 9.75" IN
Thermomagnetic switches	Yes
Waste tray	Yes
Movable blade guard	Yes
Sealed off bearings	Yes
*Motor	1.5 HP (1.119 Kw)
Net weight	100 kg/220 lb
Shipping weight	126 kg/278 lb

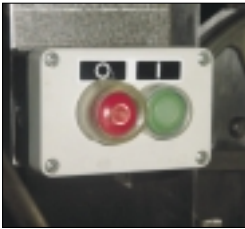
*Motor available 110 V/ 60 Hz and/or 220 V/ 60 Hz optional



HOSE DOWN WASHABLE
Saving time during cleaning operations.

THERMOMAGNETIC SWITCHES

Protect the motor against overloads and is easily activated.



EASILY DISASSEMBLE

Main components are easily disassembled (Without tools) for cleaning and sanitizing, and saw blade can be replaced without the need to disassemble any components

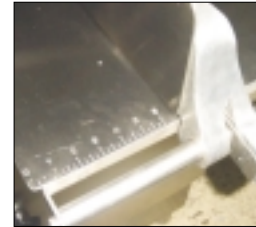


AVOID ACCIDENTS

Magnetic safety switches on the doors that stops the motor automatically if any of the doors are opened, reducing risk of accidents.

REMOVABLE WHEEL AND BLADE CLEANERS SYSTEM

To keep wheel and blade, grease and waste-free

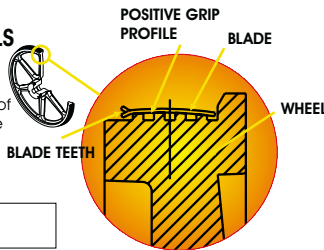


CONSISTENCY IN CUTS

Scaled thickness gauge that slides easily to adjust for thick or thin cuts, helping to get more consistency in cuts.

PRECISION BALANCED CAST IRON SAW WHEELS

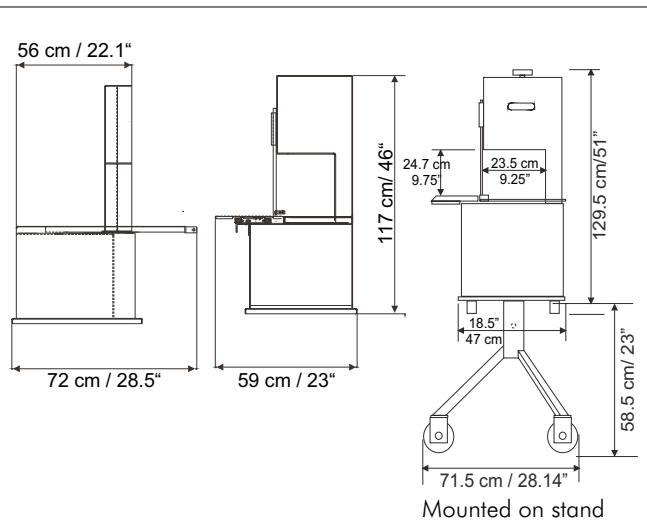
The balanced wheels provide a vibration free operation, and a positive grip profile on the border of the wheels assures a steady blade drive for a perfect cut, while protecting the blade teeth.



TENSIONING SYSTEM EASILY ADJUSTABLE

Assures a proper blade tension for a clean cut and a long lasting blade life. It has a red mark in the upper wheel to indicate right blade tension.

DIMENSIONS



NOM

ETL LISTED SAFETY & SANITATION
Conforms UL std 763

ETL LISTED SANITATION
Conforms NSF-8

ETL CANADA
Conforms CAN/CSA STD C22.2

DISTRIBUTED BY

